

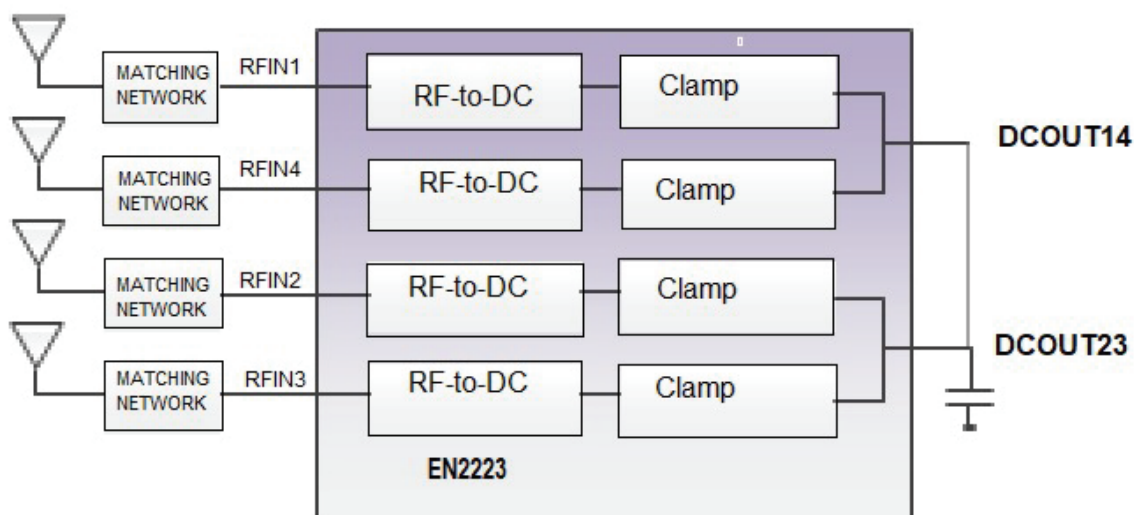
EN2223 Wireless Power Receiver

Wireless charging supports even the smallest electronic devices.

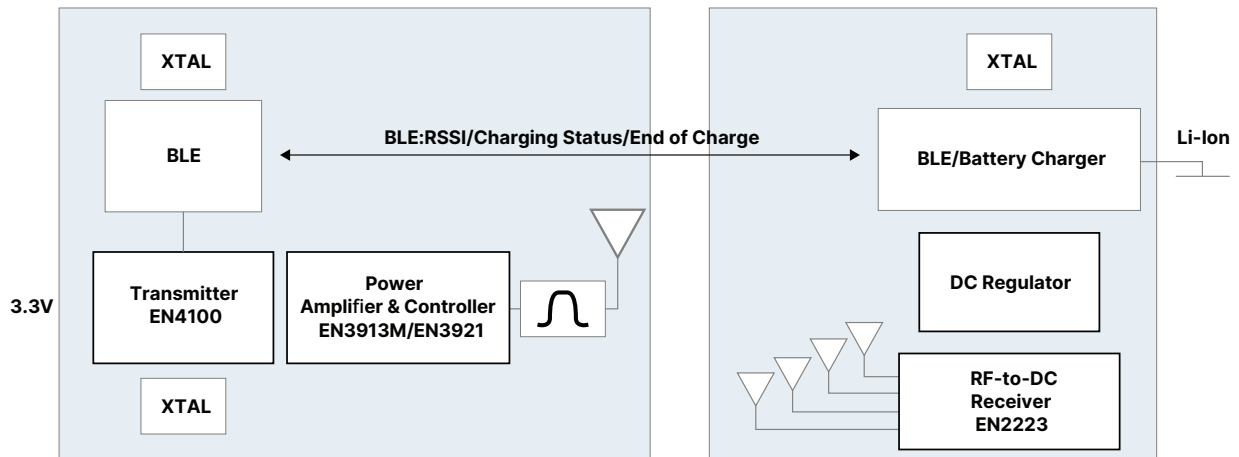
The EN2223 is an RF-to-DC wireless power receiver optimized for wireless charging applications, such as IoT sensors and edge network devices, asset trackers, industrial, medical and consumer devices where small implementation size and increased spatial freedom during charging provide advantages over coil-based charging solutions.



EN2223 Wireless Power RF-to-DC Receiver Block Diagram



System Block Diagram



Markets and Applications

- Industrial IoT
- Health and Safety
- IoT and Retail
- Automotive
- Consumer
- Defense and Public Safety

Key Benefits

- RF/antenna-based solution
- Smaller antenna area than coil-based designs
- Improved spatial and orientation freedom
- Eliminates connectors and charging contacts
- Enables fully sealed waterproof design

For more information or to order,
please contact: sales@energous.com

This publication is issued to provide outline information only, which unless agreed by Energous Corporation may not be used, applied, or reproduced for any purpose or be regarded as a representation relating to products.

Energous, and the Energous logo are trademarks of Energous Corporation. All other product or service names are the property of their respective owners. © Copyright 2024 Energous Corporation. All rights reserved.



Scan to Download this Document



3590 N 1st Street, Suite 210 | San Jose, CA 95134 | (408) 963-0200