

# WattUp® EN4100 Transmitter SoC

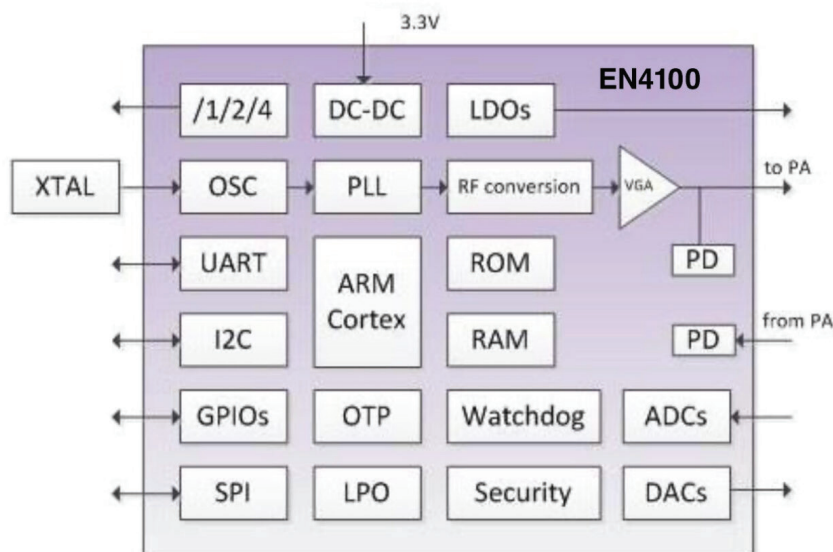
# WattUP®

## Highly Integrated Wireless Power Transmitter

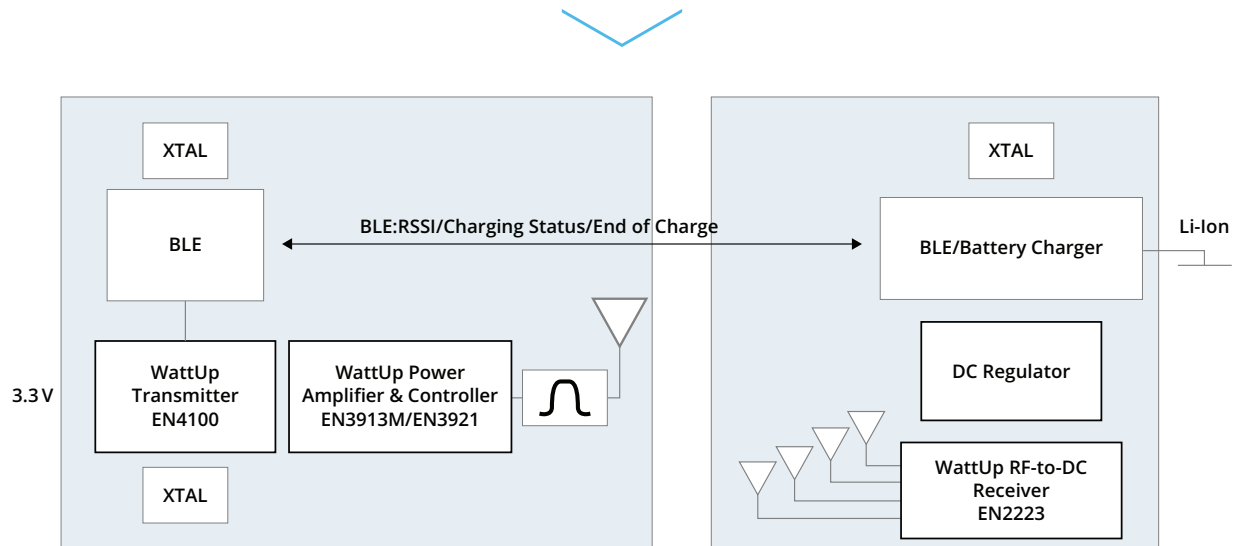
EN4100 is a highly integrated RF transmitter System-on-Chip designed to provide optimal charging of WattUp receiver devices. It forms the core of the WattUp transmitter system and is designed to charge a range of devices fitted with WattUp receivers. It features the RF transmitter, power management and integrated DC-DC, delivering a complete WattUp transmitter system solution.



WattUp EN4100 Wireless Power Transmitter Block Diagram



## WattUp System Block Diagram



### Markets and Applications

- Industrial IoT
- Health and Safety
- IoT and Retail
- Automotive
- Consumer
- Defense and Public Safety

### Key Benefits

- RF/antenna-based solution
- Smaller antenna area than coil-based designs
- Improved spatial and orientation freedom
- Eliminates connectors and charging contacts
- Enables fully sealed waterproof design

For more information or to order,  
please contact: [sales@energous.com](mailto:sales@energous.com)

This publication is issued to provide outline information only, which unless agreed by Energous Corporation may not be used, applied, or reproduced for any purpose or be regarded as a representation relating to products.

Energous, WattUp, and the Energous and WattUp logos are trademarks of Energous Corporation. All other product or service names are the property of their respective owners. © Copyright 2022 Energous Corporation. All rights reserved.

