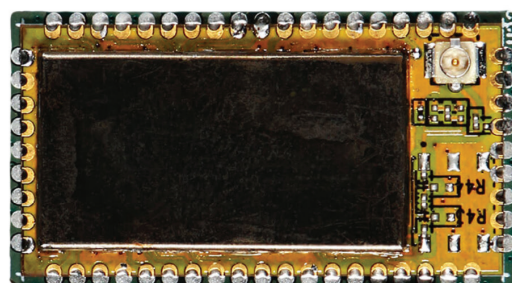
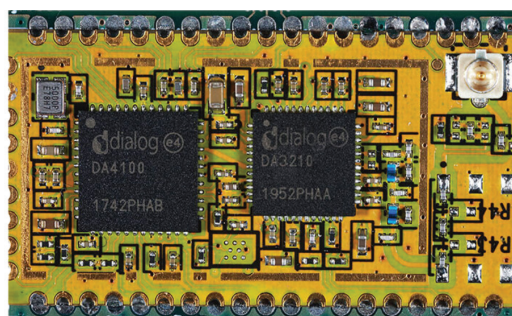


WattUp® EN7410M Wireless Charging Transmit Module

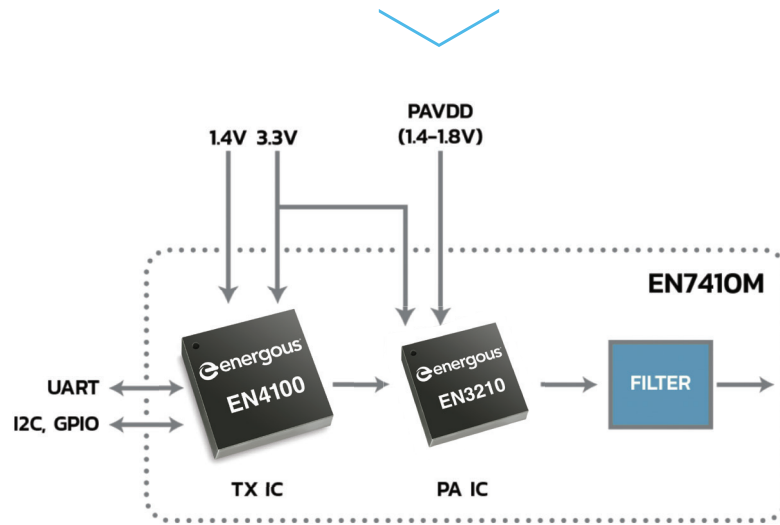
WattUp®

The EN7410M wireless charging transmit module.

The EN7410M module combines Energous' fully integrated EN4100 WattUp® power transmitter, the EN3210 high-power, high-efficiency RF power amplifier, harmonic filtering, output connector, and optional EEPROM into the smallest footprint possible. The module is suited for incorporation into devices such as smart speakers, medical devices, laptops and tablets, and other devices, enabling them to send power to charge a variety of potential WattUp®-enabled receiver devices such as fitness bands, smart watches, game controllers, hearing aids and more.



WattUp System Block Diagram



Markets and Applications

- Industrial IoT
- Health and Safety
- IoT and Retail
- Automotive
- Consumer
- Defense and Public Safety

Key Benefits

- Small-footprint module at 31 millimeters by 16 millimeters
- Low-cost PCB Technology
- 1W Maximum Power Output
- On-board Harmonic Filter
- RF Output via Pin or On-board U.FL Connector
- Bootable UART Host Interface for Connectivity
- I2C Master for Peripheral Control
- Shielded

For more information or to order,
please contact: sales@energous.com

This publication is issued to provide outline information only, which unless agreed by Energous Corporation may not be used, applied, or reproduced for any purpose or be regarded as a representation relating to products.

Energous, WattUp, and the Energous and WattUp logos are trademarks of Energous Corporation. All other product or service names are the property of their respective owners. © Copyright 2022 Energous Corporation. All rights reserved.

