

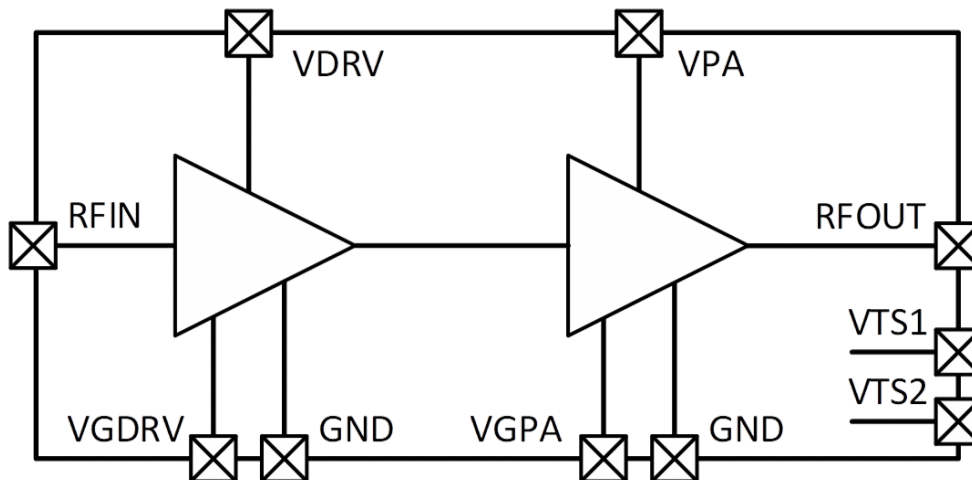
WattUp® EN3913M Power Amplifier

Wireless GaN power amplifier module enables
WattUp wireless RF/antenna-based charging

EN3913M is a highly efficient, GaN power amplifier module that delivers up to 38dBm of output power. Along with the DA4100 transmitter IC and EN3921 GaN power amplifier controller, they charge WattUp-enabled receivers. WattUp receiver technology may be integrated into various devices such as fitness trackers, hearables and wearables, power tools, and other high-power devices.

WATTUP®

WattUp EN3913M Wireless Power Amplifier Block Diagram

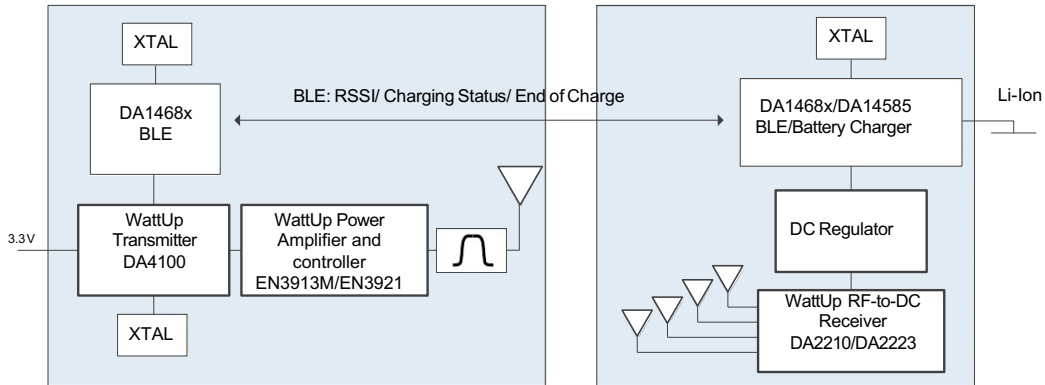


Energon EN3913M GaN Power Amplifier Module – Block Diagram





WattUp System Block Diagram



Markets & Applications



Key Benefits

-  **RF/antenna-based solution**
-  **Smaller antenna area than coil-based designs**
-  **Improved spatial and orientation freedom**
-  **Eliminates connectors and charging contacts**
-  **Enables fully sealed waterproof design**



This publication is issued to provide outline information only, which unless agreed by Energous Corporation may not be used, applied, or reproduced for any purpose or be regarded as a representation relating to products.

Energous, WattUp, and the Energous and WattUp logos are trademarks of Energous Corporation. All other product or service names are the property of their respective owners. © Copyright 2019 Energous Corporation. All rights reserved.

3590 N. 1st Street Suite 210
San Jose CA 95134
1-408-963-02100
energous.com